

## 25. Body Integrated Unit

### A: NOTE

#### 1. WHEN REPLACING THE BODY INTEGRATED UNIT

- 1) Check and record the current setting. <Ref. to BC(diag)-21, CONFIRM CURRENT SETTING, OPERATION, Registration Body Integrated Unit.>
- 2) Prepare all immobilizer keys already registered. (Model without keyless access)

#### NOTE:

If some of the registered immobilizer keys are missing, the following parts must be replaced.

- Except for C0 and C5 models: Combination meter
- C0 and C5 models: Security control module

#### 2. AFTER REPLACING THE BODY INTEGRATED UNIT

- 1) Register the immobilizer. (Model without keyless access)

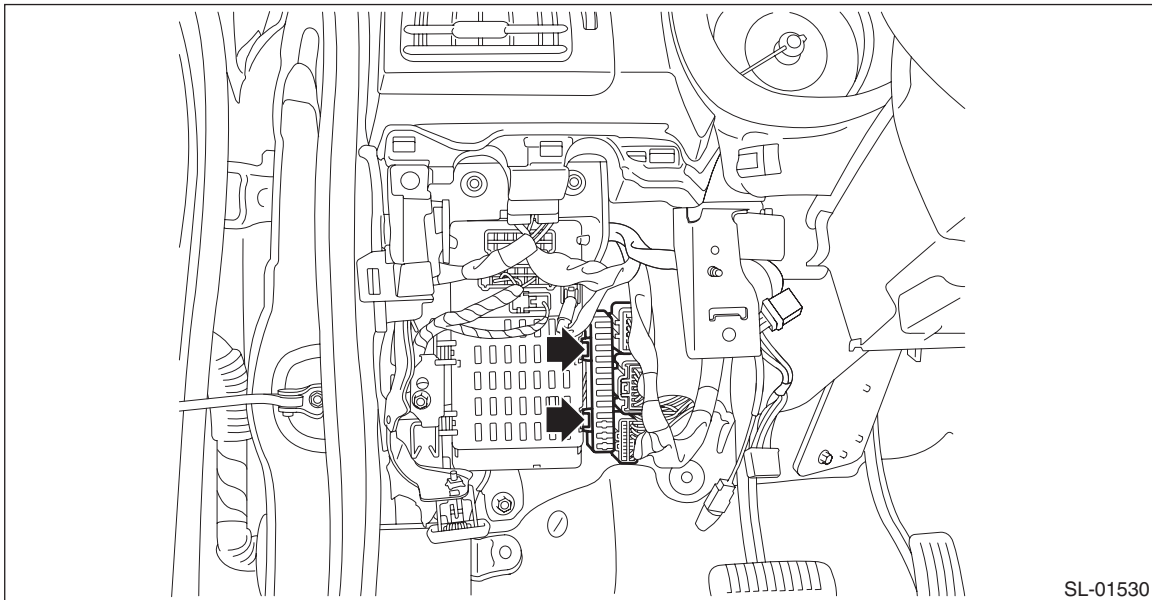
#### NOTE:

For detailed operation procedure, refer to the “REGISTRATION MANUAL FOR IMMOBILIZER”.

- 2) Set the current settings as recorded.

### B: REMOVAL

- 1) Remove the cover assembly - instrument panel LWR driver and the knee airbag module. <Ref. to AB-34, REMOVAL, Knee Airbag Module.>
- 2) Release the lock and remove the fuse holder.



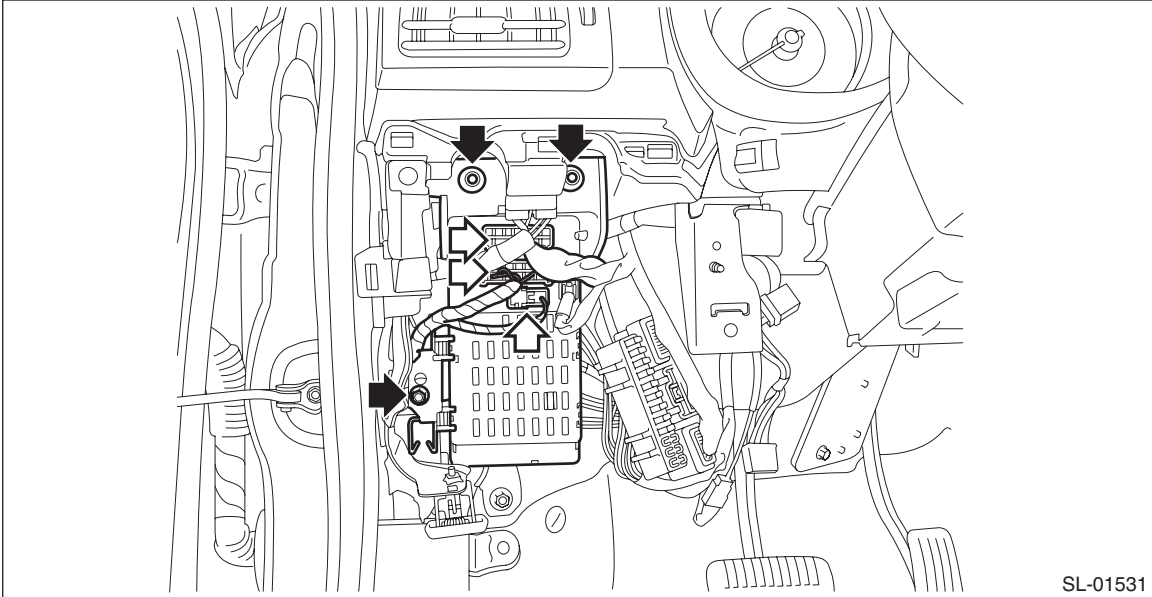
# Body Integrated Unit

## SECURITY AND LOCKS

3) Remove the relay & fuse box.

(1) Disconnect the connector.

(2) Remove the bolts and nuts, and remove the relay & fuse box.



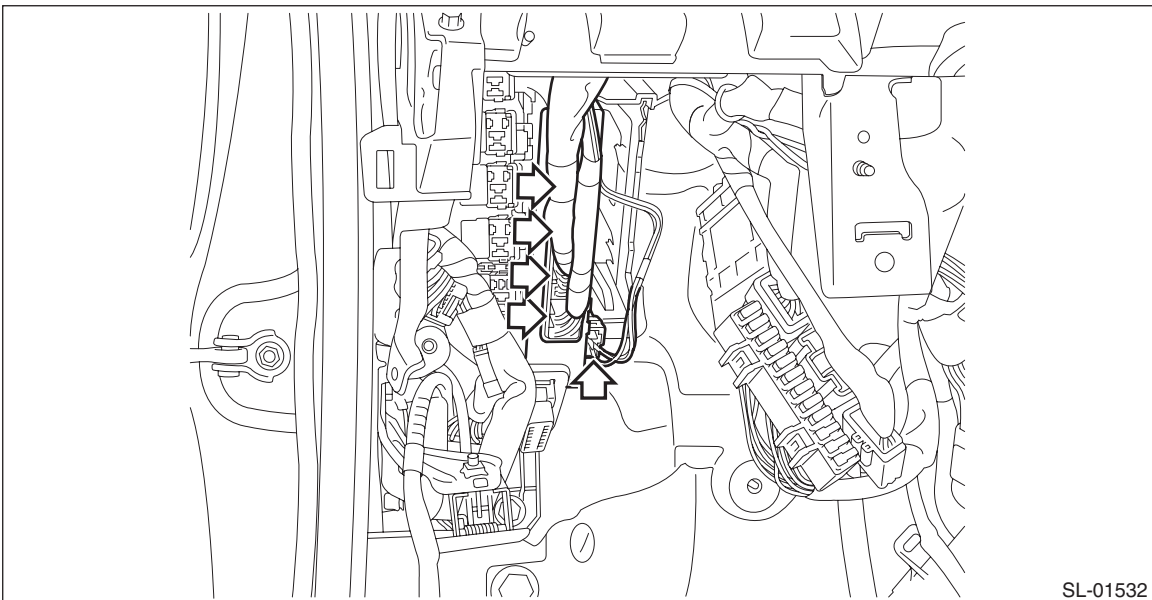
SL-01531

4) Remove the body integrated unit.

### CAUTION:

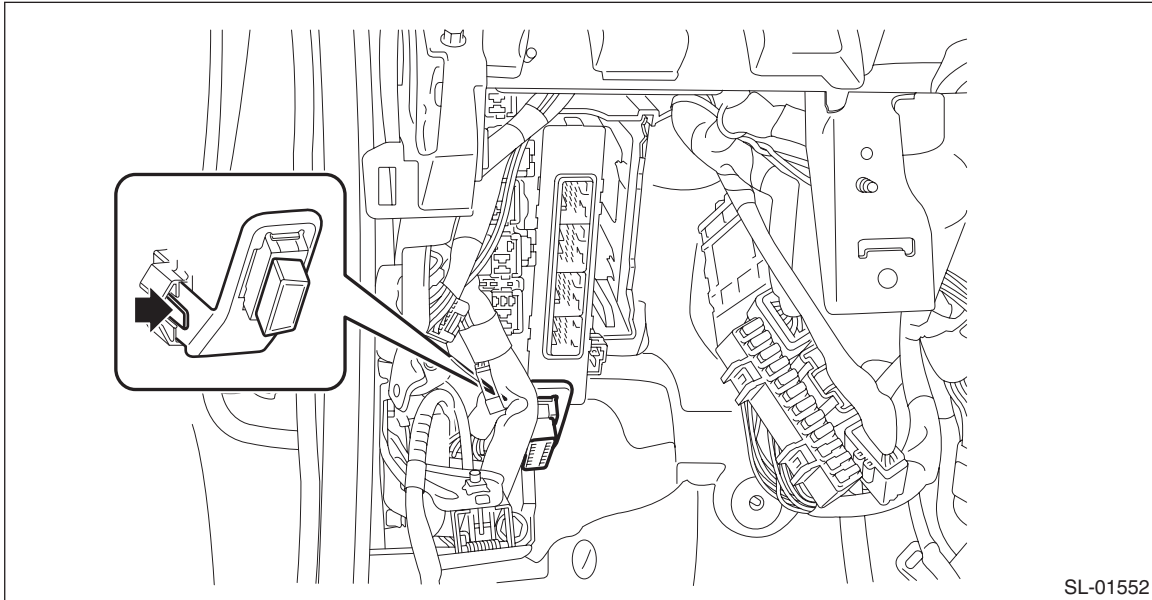
**Be careful to keep water and other foreign materials away from body integrated unit.**

(1) Disconnect the connector.

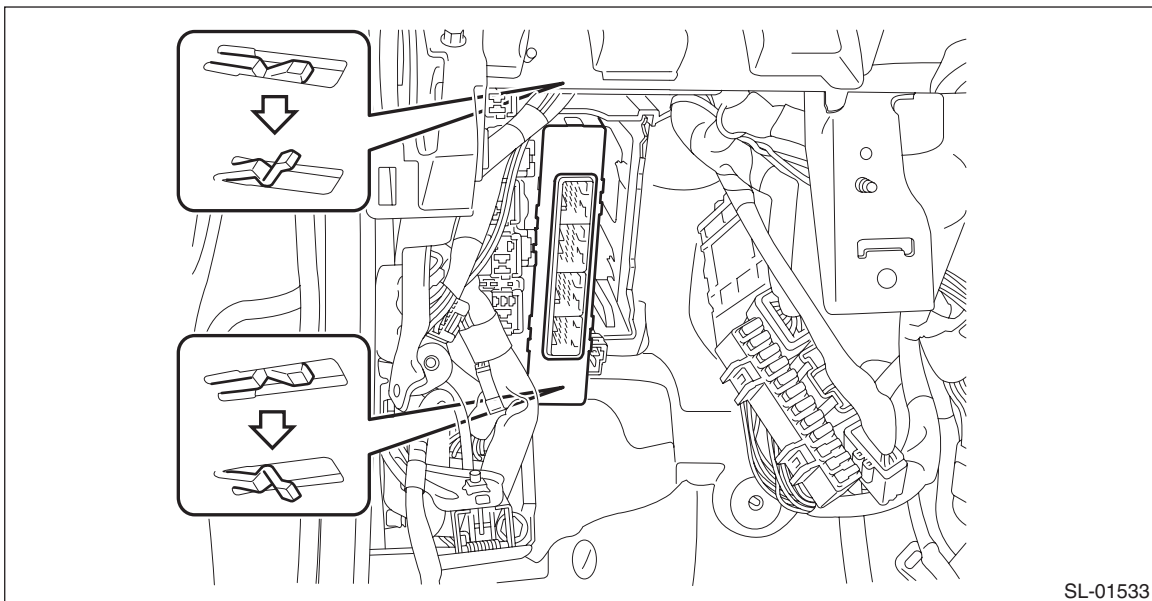


SL-01532

- (2) Release the lock, and remove the data link connector bracket from the bracket.



- (3) Release the claws, and pull out the body integrated unit from the bracket.



## C: INSTALLATION

### CAUTION:

- Before handling the airbag module, refer to “CAUTION” of “General Description” in “AIRBAG SYSTEM”. <Ref. to AB-10, CAUTION, General Description.>
- Do not allow harness and connectors to interfere or get tangled up with other parts.

Install each part in the reverse order of removal.

### Tightening torque:

**Relay & fuse box: 7.5 N·m (0.76 kgf-m, 5.5 ft-lb)**

### NOTE:

Make sure that there are no differences from the contents of the current settings after installation. <Ref. to BC(diag)-12, LIST, Read Current Data.>